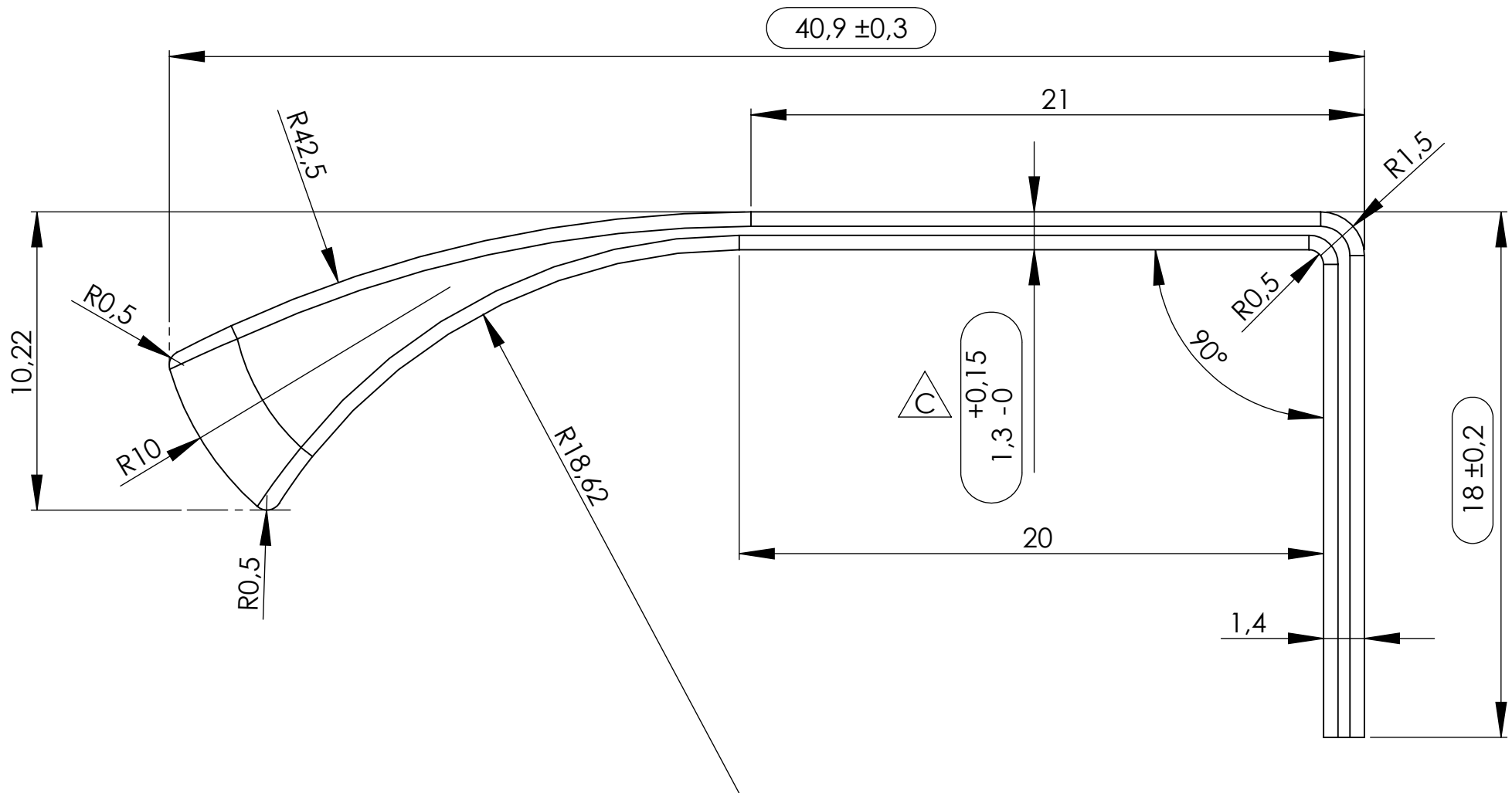
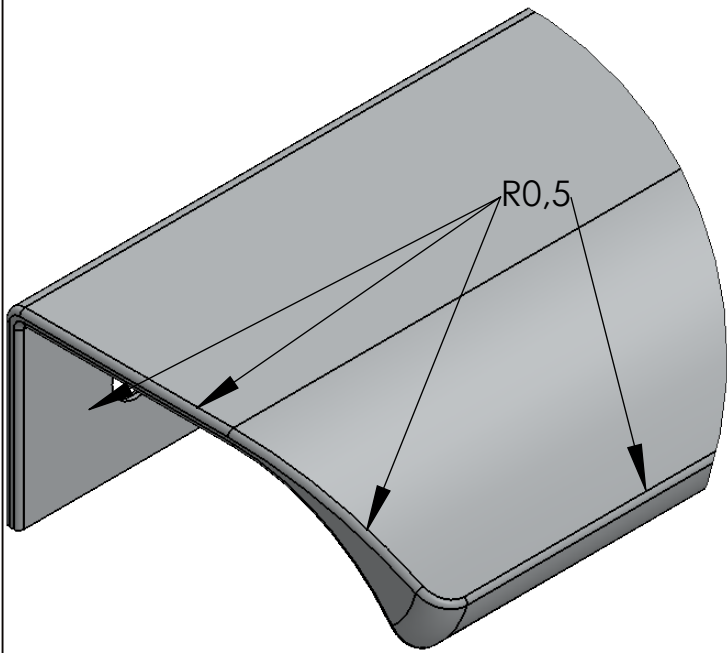


Part name: EDGE URBAN	Projection: 	Sheet format: A4	Tolerance unless otherwise specified DS/ISO 2768-1M																			
Customer:	Drawn by: ikr date 03. september 2015	Scale: 1:1	<table border="1"> <tr> <td>Linear dimensions:</td> <td>0-3</td> <td>3-6</td> <td>6-30</td> <td>30-120</td> <td>120-400</td> <td>400-1000</td> <td>1000-2000</td> </tr> <tr> <td></td> <td>± 0.1</td> <td>± 0.1</td> <td>± 0.2</td> <td>± 0.3</td> <td>± 0.5</td> <td>± 0.8</td> <td>± 1.2</td> </tr> </table>		Linear dimensions:	0-3	3-6	6-30	30-120	120-400	400-1000	1000-2000		± 0.1	± 0.1	± 0.2	± 0.3	± 0.5	± 0.8	± 1.2		
Linear dimensions:	0-3	3-6	6-30	30-120	120-400	400-1000	1000-2000															
	± 0.1	± 0.1	± 0.2	± 0.3	± 0.5	± 0.8	± 1.2															
Part no.: 419820xxx-xx.1	Material: Aluminium	Weight: 36.92 grams	<table border="1"> <tr> <td>Angle</td> <td>Radius</td> <td></td> <td></td> </tr> <tr> <td>± 0.5°</td> <td>± 5%</td> <td></td> <td></td> </tr> </table>		Angle	Radius			± 0.5°	± 5%												
Angle	Radius																					
± 0.5°	± 5%																					
<table border="1"> <tr> <th>PART NO.</th> <th>L1</th> <th>L2</th> <th>L3</th> <th>L4</th> <th>C/C</th> </tr> <tr> <td>419820200.1</td> <td>200</td> <td>90</td> <td>55</td> <td>11</td> <td>32</td> </tr> <tr> <td>419820350.1</td> <td>350</td> <td>110</td> <td>120</td> <td>31,25</td> <td>64</td> </tr> </table>		PART NO.	L1	L2	L3	L4	C/C	419820200.1	200	90	55	11	32	419820350.1	350	110	120	31,25	64	Page 1 of 6		
PART NO.	L1	L2	L3	L4	C/C																	
419820200.1	200	90	55	11	32																	
419820350.1	350	110	120	31,25	64																	
Rev.: C B A	Date: 22-06-2016 08-03-2016 03-09-2015	Name: IKR IKR IKR	Description: Thickness increased Thickness increased Initial release																			
Delta 2 DK-8382 Hinnerup			Phone: +45 87 64 35 00 Fax: +45 87 64 35 01																			

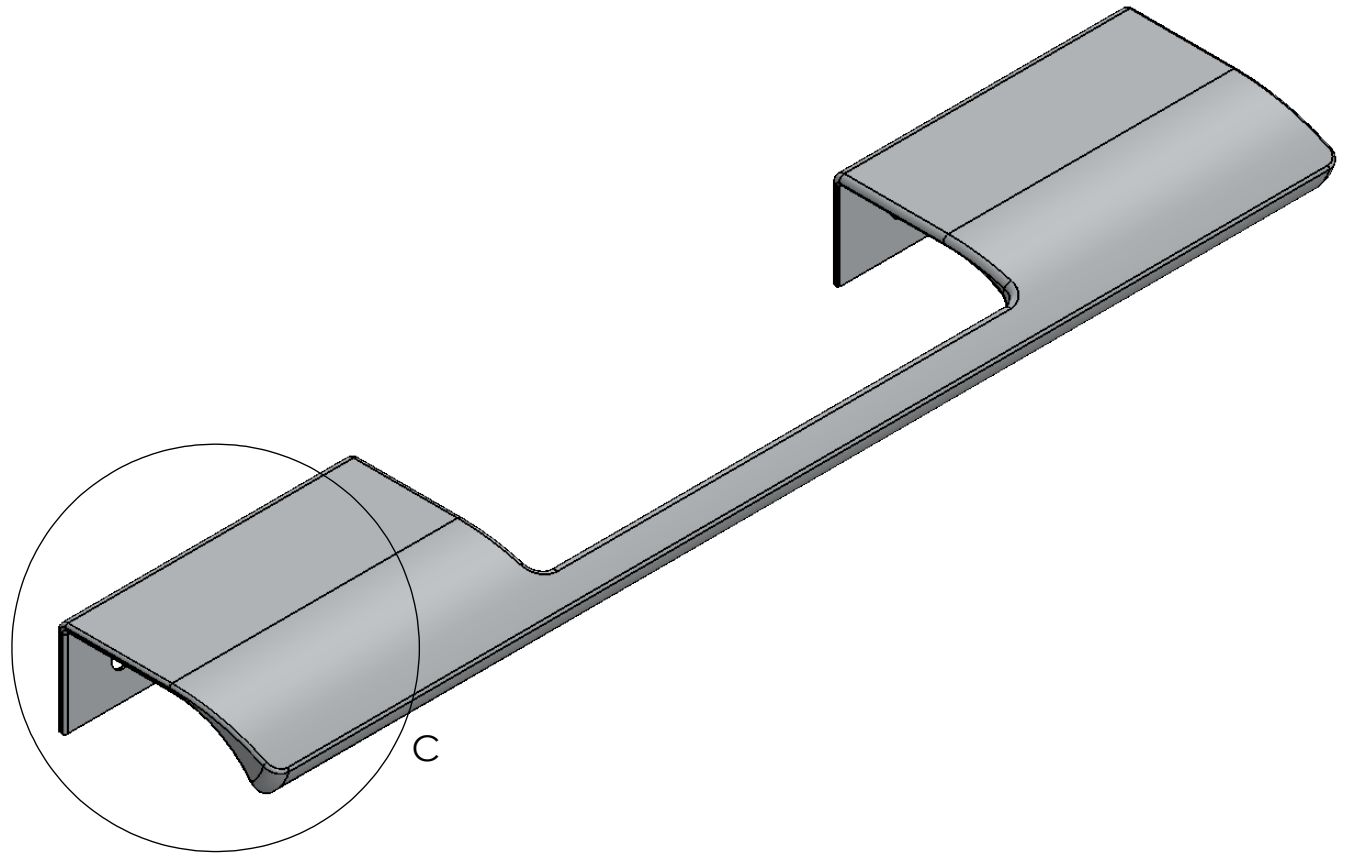


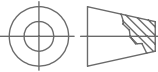

Part name: EDGE URBAN	Projection: 	Sheet format: A4	Tolerance unless otherwise specified DS/ISO 2768-1M Linear dimensions:																						
Customer:	Drawn by: ikr date 03. september 2015	Scale: 5:1																							
Part no.: 419820xxx-xx.1	Material: Aluminium	Weight: 36.92 grams	<table border="1"> <tr> <td>0-3</td> <td>3-6</td> <td>6-30</td> <td>30-120</td> <td>120-400</td> <td>400-1000</td> <td>1000-2000</td> </tr> <tr> <td>± 0.1</td> <td>± 0.1</td> <td>± 0.2</td> <td>± 0.3</td> <td>± 0.5</td> <td>± 0.8</td> <td>± 1.2</td> </tr> </table> <table border="1"> <tr> <td>Angle</td> <td>Radius</td> <td></td> <td></td> </tr> <tr> <td>± 0.5°</td> <td>± 5%</td> <td></td> <td></td> </tr> </table>	0-3	3-6	6-30	30-120	120-400	400-1000	1000-2000	± 0.1	± 0.1	± 0.2	± 0.3	± 0.5	± 0.8	± 1.2	Angle	Radius			± 0.5°	± 5%		
0-3	3-6	6-30	30-120	120-400	400-1000	1000-2000																			
± 0.1	± 0.1	± 0.2	± 0.3	± 0.5	± 0.8	± 1.2																			
Angle	Radius																								
± 0.5°	± 5%																								
Page 2 of 6																									
Delta 2 DK-8382 Hinnerup	Phone: +45 87 64 35 00 Fax: +45 87 64 35 01																								

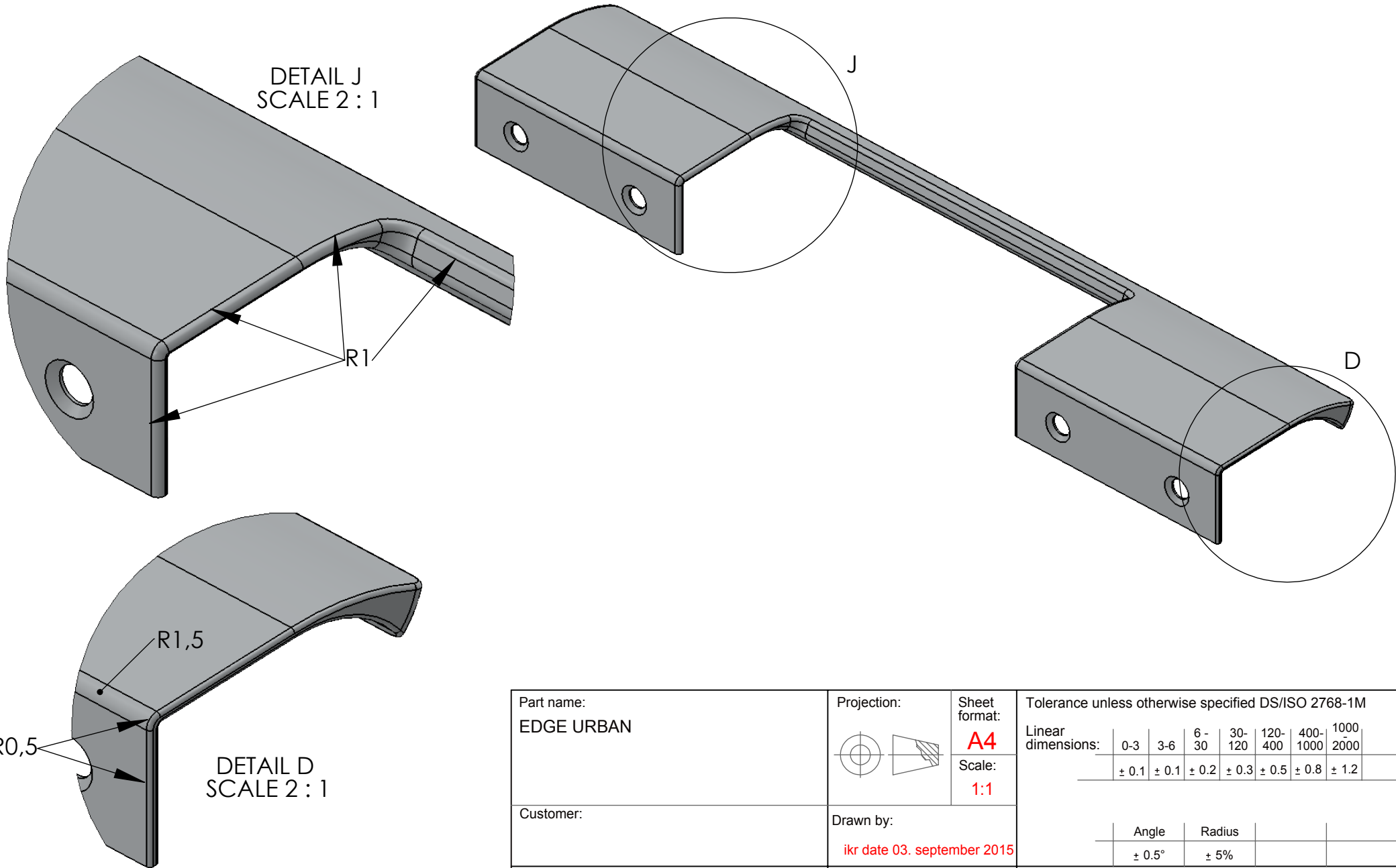
Rev.:	Date:	Name:	Description:
C	22-06-2016	IKR	Thickness increased
B	08-03-2016	IKR	Thickness increased
A	03-09-2015	IKR	Initial release



DETAIL C
SCALE 2 : 1



Part name: EDGE URBAN	Projection: 	Sheet format: A4	Tolerance unless otherwise specified DS/ISO 2768-1M																					
Customer:	Drawn by: ikr date 03. september 2015	Scale: 1:1	<table border="1"> <tr> <td>Linear dimensions:</td> <td>0-3</td> <td>3-6</td> <td>6 - 30</td> <td>30- 120</td> <td>120- 400</td> <td>400- 1000</td> <td>1000- 2000</td> </tr> <tr> <td></td> <td>± 0.1</td> <td>± 0.1</td> <td>± 0.2</td> <td>± 0.3</td> <td>± 0.5</td> <td>± 0.8</td> <td>± 1.2</td> </tr> </table>				Linear dimensions:	0-3	3-6	6 - 30	30- 120	120- 400	400- 1000	1000- 2000		± 0.1	± 0.1	± 0.2	± 0.3	± 0.5	± 0.8	± 1.2		
Linear dimensions:	0-3	3-6	6 - 30	30- 120	120- 400	400- 1000	1000- 2000																	
	± 0.1	± 0.1	± 0.2	± 0.3	± 0.5	± 0.8	± 1.2																	
Part no.: 419820xxx-xx.1	Material: Aluminium	Weight: 36.92 grams	<table border="1"> <tr> <td>Angle</td> <td>Radius</td> <td></td> <td></td> </tr> <tr> <td>± 0.5°</td> <td>± 5%</td> <td></td> <td></td> </tr> </table>				Angle	Radius			± 0.5°	± 5%												
Angle	Radius																							
± 0.5°	± 5%																							
<table border="1"> <tr> <td>Rev.:</td> <td>Date:</td> <td>Name:</td> <td>Description:</td> </tr> <tr> <td>C</td> <td>22-06-2016</td> <td>IKR</td> <td>Thickness increased</td> </tr> <tr> <td>B</td> <td>08-03-2016</td> <td>IKR</td> <td>Thickness increased</td> </tr> <tr> <td>A</td> <td>03-09-2015</td> <td>IKR</td> <td>Initial release</td> </tr> </table>			Rev.:	Date:	Name:	Description:	C	22-06-2016	IKR	Thickness increased	B	08-03-2016	IKR	Thickness increased	A	03-09-2015	IKR	Initial release	<table border="1"> <tr> <td>Page 3 of 6</td> </tr> </table>			Page 3 of 6		
Rev.:	Date:	Name:	Description:																					
C	22-06-2016	IKR	Thickness increased																					
B	08-03-2016	IKR	Thickness increased																					
A	03-09-2015	IKR	Initial release																					
Page 3 of 6																								
			Delta 2 DK-8382 Hinnerup		Phone: +45 87 64 35 00 Fax: +45 87 64 35 01																			



DETAIL J
SCALE 2 : 1

R1

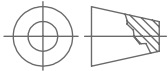
R1,5

R0,5

DETAIL D
SCALE 2 : 1

Part name:
EDGE URBAN

Projection:



Sheet format:

A4
Scale:
1:1

Tolerance unless otherwise specified DS/ISO 2768-1M

Linear dimensions:	0-3	3-6	6-30	30-120	120-400	400-1000	1000-2000
	± 0.1	± 0.1	± 0.2	± 0.3	± 0.5	± 0.8	± 1.2

Customer:

Drawn by:

ikr date 03. september 2015

Angle	Radius		
± 0.5°	± 5%		

Part no.: **419820xxx-xx.1**

Page 4 of 6

Material:
Aluminium

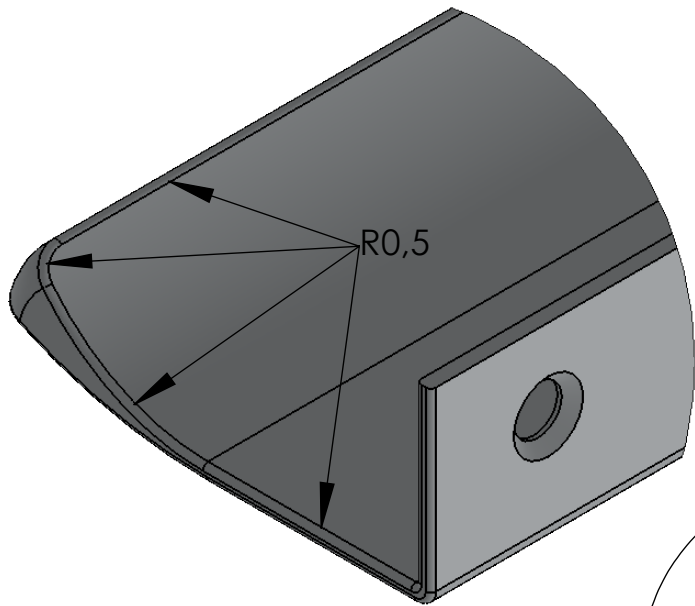
Weight:

36.92 grams

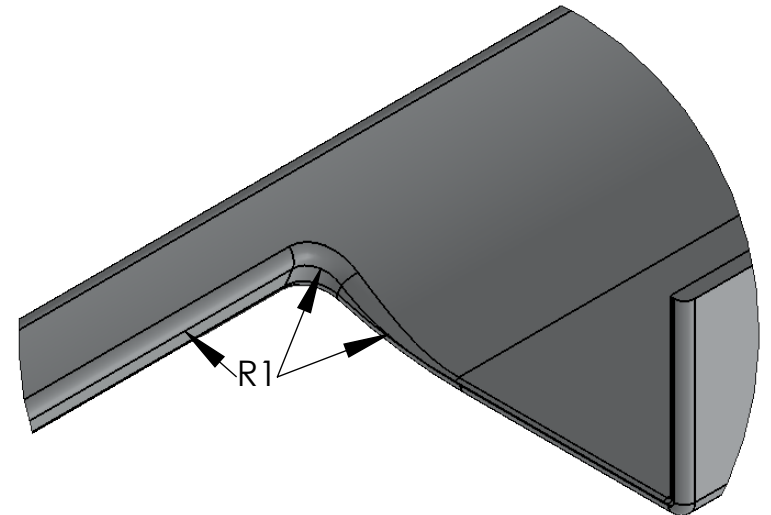
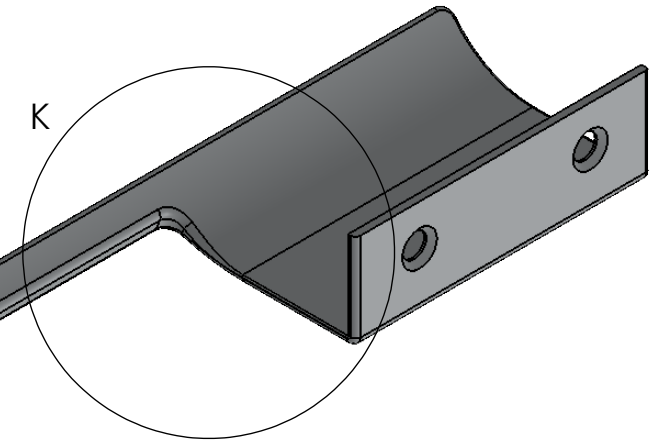
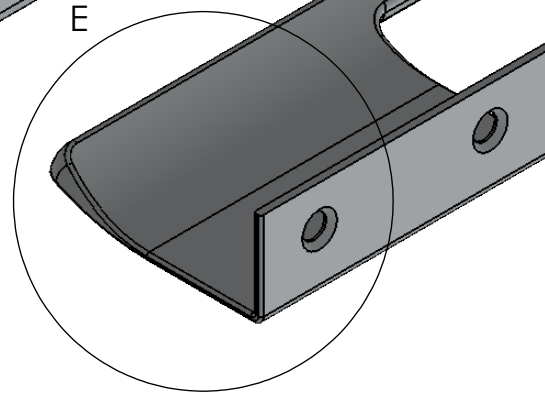
furnipart®

Delta 2 Phone: +45 87 64 35 00
DK-8382 Hinnerup Fax: +45 87 64 35 01

Rev.:	Date:	Name:	Description:
C	22-06-2016	IKR	Thickness increased
B	08-03-2016	IKR	Thickness increased
A	03-09-2015	IKR	Initial release



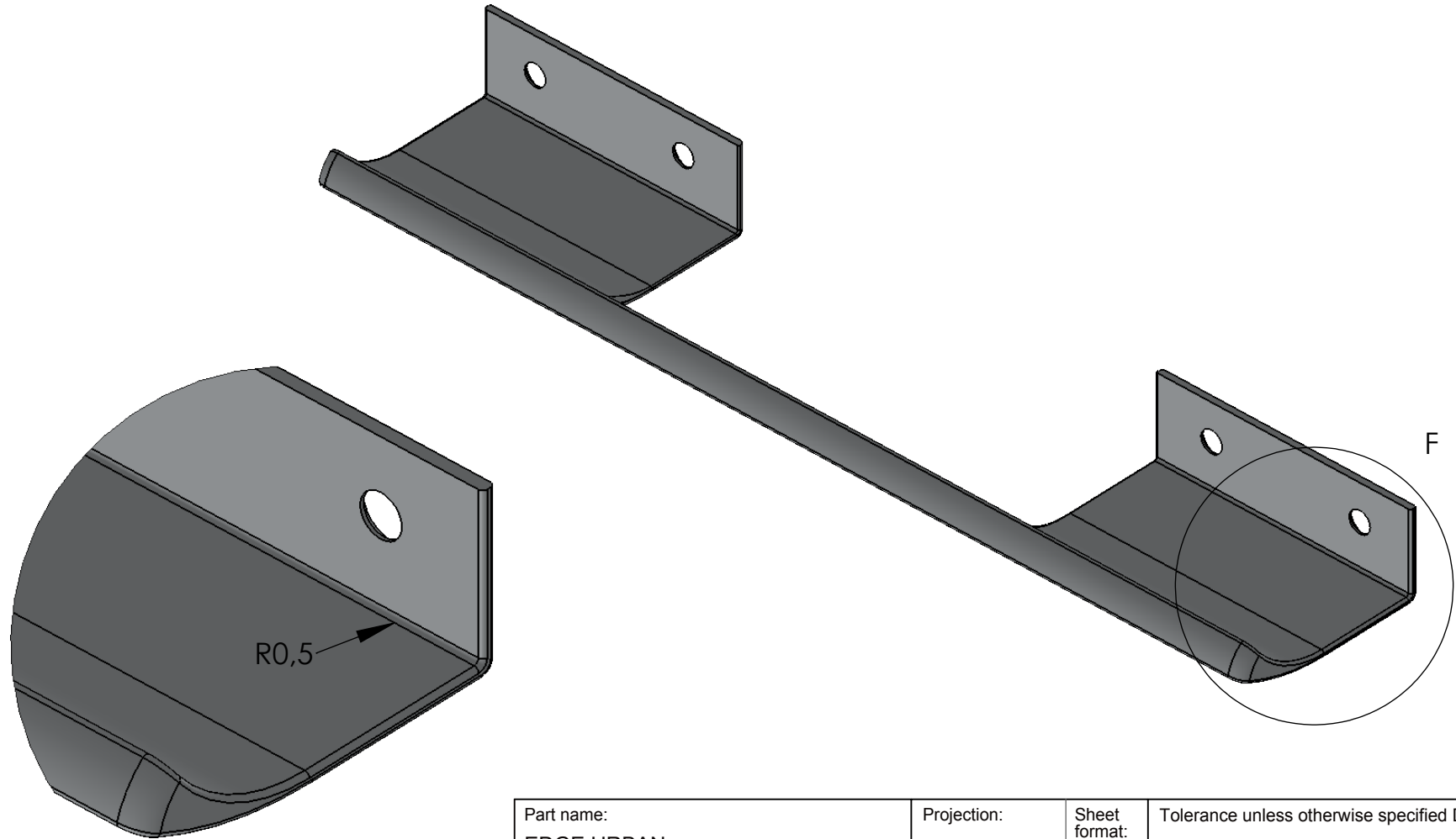
DETAIL E
SCALE 2 : 1



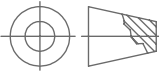

DETAIL K

Part name: EDGE URBAN		Projection: SCALE 2:1	Tolerance unless otherwise specified DS/ISO 2768-1M						
			Linear dimensions:						
		Sheet format: A4	0-3	3-6	6-30	30-120	120-400	400-1000	1000-2000
		Scale: 1:1	± 0.1	± 0.1	± 0.2	± 0.3	± 0.5	± 0.8	± 1.2
Customer:		Drawn by: ikr date 03. september 2015		Angle		Radius			
				± 0.5°		± 5%			
Part no.: 419820xxx-xx.1		Page 5 of 6							
Material: Aluminium		Weight: 36.92 grams							
Rev.:	Date:	Name:	Description:	Delta 2 Phone: +45 87 64 35 00 DK-8382 Hinnerup Fax: +45 87 64 35 01					
C	22-06-2016	IKR	Thickness increased	COPYRIGHT: THIS DRAWING MAY NOT BE COPIED OR REPRODUCED IN ANY WAY WITHOUT DIRECT PERMISSION FROM FURNIPART A/S					
B	08-03-2016	IKR	Thickness increased						
A	03-09-2015	IKR	Initial release						

Rev.:	Date:	Name:	Description:
C	22-06-2016	IKR	Thickness increased
B	08-03-2016	IKR	Thickness increased
A	03-09-2015	IKR	Initial release



DETAIL F
SCALE 2 : 1

Part name: EDGE URBAN	Projection: 	Sheet format: A4	Tolerance unless otherwise specified DS/ISO 2768-1M																			
Customer:	Drawn by: ikr date 03. september 2015	Scale: 1:1	<table border="1"> <tr> <td>Linear dimensions:</td> <td>0-3</td> <td>3-6</td> <td>6 - 30</td> <td>30- 120</td> <td>120- 400</td> <td>400- 1000</td> <td>1000- 2000</td> </tr> <tr> <td></td> <td>± 0.1</td> <td>± 0.1</td> <td>± 0.2</td> <td>± 0.3</td> <td>± 0.5</td> <td>± 0.8</td> <td>± 1.2</td> </tr> </table>				Linear dimensions:	0-3	3-6	6 - 30	30- 120	120- 400	400- 1000	1000- 2000		± 0.1	± 0.1	± 0.2	± 0.3	± 0.5	± 0.8	± 1.2
Linear dimensions:	0-3	3-6	6 - 30	30- 120	120- 400	400- 1000	1000- 2000															
	± 0.1	± 0.1	± 0.2	± 0.3	± 0.5	± 0.8	± 1.2															
Part no.: 419820xxx-xx.1	Material: Aluminium	Weight: 36.92 grams	<table border="1"> <tr> <td>Angle</td> <td>Radius</td> <td></td> <td></td> </tr> <tr> <td>± 0.5°</td> <td>± 5%</td> <td></td> <td></td> </tr> </table>				Angle	Radius			± 0.5°	± 5%										
Angle	Radius																					
± 0.5°	± 5%																					
Page 6 of 6																						
Delta 2 DK-8382 Hinnerup																						
Phone: +45 87 64 35 00 Fax: +45 87 64 35 01																						

Rev.:	Date:	Name:	Description:
C	22-06-2016	IKR	Thickness increased
B	08-03-2016	IKR	Thickness increased
A	03-09-2015	IKR	Initial release